



Publisher

Universitas Negeri Surabaya
in cooperation with
Perkumpulan Pendidik IPA Indonesia (PPII)

Supported by

Himpunan Fisika Indonesia (HFI) cabang Surabaya
Relawan Jurnal Indonesia (RJI)



JPFA Office

Department of Physics
Faculty of Mathematics and Natural Sciences
Universitas Negeri Surabaya
Jl. Ketintang, Gedung C3 Lt. 1, Surabaya 60231, Indonesia
Email: jpfa@unesa.ac.id
Website: <https://journal.unesa.ac.id/index.php/jpfa>

p-ISSN: 2087-9946

e-ISSN: 2477-1775



Jurnal Penelitian Fisika dan Aplikasinya (JPFA)

Jurnal Penelitian Fisika dan Aplikasinya (JPFA) - Journal of Physics Research and Its Application is a peer-reviewed journal that is managed by Department of Physics, Faculty of Mathematics and Natural Sciences, Universitas Negeri Surabaya and published by Universitas Negeri Surabaya in collaboration with Perkumpulan Pendidik IPA Indonesia (PPII). JPFA is published periodically (twice a year) in June and December. JPFA is available for free (open access) to all readers. The articles in JPFA include developments and researches in Physics Education, Classical Physics, and Modern Physics (theoretical studies, experiments, and its applications).

Person in Charge

Ketua Jurusan Fisika
Fakultas Matematika dan Ilmu Pengetahuan Alam
Universitas Negeri Surabaya

Editor in Chief

Prof. Dr. Budi Jatmiko, M.Pd.

Editorial Advisory Board

Prof. Rajesh Sharma, Ph.D., Arkansas State University, United States
Prof. Dr. Wolfgang W Schmahl, Ludwig-Maximilians-Universität München, Germany
Prof. Madya Dr. Hishamuddin Zainuddin, University Putra Malaysia, Malaysia
Assc.Prof. Dr. Muhaimin Ismoen, Universiti Teknologi Brunei, Brunei Darussalam
Assc.Prof. Dr. Chih-Hsiung Ku, National Dong Hwa University, Taiwan
Assc.Prof. Dr. Massimo Brescia, INAF Astronomical Observatory of Capodimonte, Italy
Assc.Prof. Simona Condurache-Bota, Ph.D., Dunarea de Jos University of Galați, Romania
Prof. Dr. Agus Subekti, Universitas Jember (UJ), Indonesia
Prof. Dr. Arif Hidayat, Universitas Negeri Malang (UM), Indonesia
Prof. C Cari, Ph.D., Universitas Sebelas Maret, Indonesia
Dr. P Parmin, Universitas Negeri Semarang, Indonesia
Dr. Ade Gafar Abdullah, Universitas Pendidikan Indonesia, Indonesia
Prof. Dr. M Madlazim, Universitas Negeri Surabaya (UNESA), Indonesia

Managing Editor

Utama Alan Deta, S.Pd., M.Pd., M.Si.

Editorial Member

Dr. Munasir, S.Si., M.Si.
Nadi Suprpto, S.Pd., M.Pd., Ph.D.
Mukhayyarotini Niswati Rodliyatul Jauhariyah, S.Pd., M.Pd.
Endah Rahmawati, S.T., M.Si.

Editorial Assistant

Nurita Apridiana Lestari, S.Pd., M.Pd.
Meta Yantidewi, S.Si., M.Si.

Postal Address

Jurusan Fisika FMIPA Universitas Negeri Surabaya
Jl. Ketintang, Gedung C3 Lt 1, Surabaya 60231, Indonesia
Email: jpfa@unesa.ac.id
Website: <http://journal.unesa.ac.id/index.php/jpfa>

All articles published on JPFA are open access by following the [Creative Commons: Attribution-NonCommercial 4.0 International](https://creativecommons.org/licenses/by-nc/4.0/) license. Full license can be found [here](https://creativecommons.org/licenses/by-nc/4.0/).

JPFA Peer-Reviewer

- Prof. Dr. David Treagust, Curtin University, Australia
Asst.Prof. Jonathan Petrucelli, Ph.D., State University of New York (SUNY), United States
Prof. Dr. Wiyanto, Universitas Negeri Semarang (UNNES), Indonesia
Prof. Dr. Darminto, Institut Teknologi Sepuluh November (ITS), Indonesia
Prof. Dr.-Ing. Setyawan Purnomo Sakti, Universitas Brawijaya (UB), Indonesia
Prof. Dr. Anto Sulaksono, Universitas Indonesia (UI), Indonesia
Prof. Dr. Bagus Jaya Santosa, Institut Teknologi Sepuluh November (ITS), Indonesia
Prof. Suparmi, Ph.D., Universitas Sebelas Maret (UNS), Indonesia
Prof. Dr. Sarwi, Universitas Negeri Semarang (UNNES), Indonesia
Prof. Dr. Agus Rubiyanto, Institut Teknologi Sepuluh November (ITS), Indonesia
Prof. Dr. Suminar Pratapa, Institut Teknologi Sepuluh November (ITS), Indonesia
Prof. Dr. Sutopo, Universitas Negeri Malang (UM), Indonesia
Prof. Dr. Erman, Universitas Negeri Surabaya (UNESA), Indonesia
Prof. Dr. Wasis, Universitas Negeri Surabaya (UNESA), Indonesia
Agus Muhamad Hatta, Ph.D., Institut Teknologi Sepuluh November (ITS), Indonesia
Wayan Suparta, Ph.D., Universiti Kebangsaan Malaysia (UKM), Malaysia
Dr. Riries Rulaningtyas, Universitas Airlangga (UA), Indonesia
Dr. Ahmad Taufiq, Universitas Negeri Malang (UM), Indonesia
Dr.Eng. Risa Suryana, Universitas Sebelas Maret (UNS), Indonesia
Dr. Ramli, Universitas Negeri Padang (UNP), Indonesia
Dr.Eng. Didik Rahadi Santoso, Universitas Brawijaya (UB), Indonesia
Dr. Sarwanto, Universitas Sebelas Maret (UNS), Indonesia
Dr. Eny Latifah, Universitas Negeri Malang (UM), Indonesia
Dr. Sunaryono, Universitas Negeri Malang (UM), Indonesia
Dr. Lia Yuliaty, Universitas Negeri Malang (UM), Indonesia
Dr. Sentot Kusairi, Universitas Negeri Malang (UM), Indonesia
Dr. Judhistira Aria Utama, Universitas Pendidikan Indonesia (UPI), Indonesia
Dr. Jeffry Handika, Universitas PGRI Madiun (UNIPMA), Indonesia
Dr. Riska Ekawita, Universitas Bengkulu (UNIB), Indonesia
Yuli Rahmawati, Ph.D., Universitas Negeri Jakarta (UNJ), Indonesia
Dr. Lilik Anifah, Universitas Negeri Surabaya (UNESA), Indonesia
Tjipto Prastowo, Ph.D., Universitas Negeri Surabaya (UNESA), Indonesia
Dr. Zainul Arifin Imam Supardi, Universitas Negeri Surabaya (UNESA), Indonesia
Dr. Eko Hariyono, Universitas Negeri Surabaya (UNESA), Indonesia
Dr. Binar Kurnia Prahani, Universitas Negeri Surabaya (UNESA), Indonesia

AUTHOR GUIDELINES FOR JURNAL PENELITIAN FISIKA DAN APLIKASINYA (JPFA)

1. The objective of the Jurnal Penelitian Fisika dan Aplikasinya (JPFA) is to publish original research, thinking, viewpoints, and dissemination of knowledge in Physics and Physics Education.
2. All Articles published in JPFA are open access and have the CC-BY-NC license. Authors are required to include **Statement of Open Access** in the submission process of the Article.
3. The manuscript for JPFA is highly recommended to be sent online by registering in the JPFA's website (<http://journal.unesa.ac.id/index.php/jpfa>). If you have a problem with the online submission, the Article can be sent to the JPFA's email (jpfa@unesa.ac.id).
4. The manuscript must be written by at least 2 authors, preferably from different institution and country.
5. The type of the manuscript must be either the result of research (research article) or the result of review (review article).
6. The submitted manuscript has not been published or is not being considered for publication in another publisher. Author(s) must include **Statement of Manuscript Authenticity** in the Article submission process.
7. The manuscript is written in English with the length is about 6 to 15 pages.
8. The title of the manuscript is written in English (Times New Roman, size 12, bold) and Bahasa Indonesia (Times New Roman, size 11, bold).
9. The author's name (without title) must be accompanied by the fullname, full address of the affiliation (specific location, department, institution name, street, city, and country), and the email of each author.
10. Abstract is in the form of a paragraph, consisting of (maximum) 300 words, and written in English and Bahasa Indonesia. Abstract uses Times New Roman, size 11, Italic. The **abstract** is a **concise** (short and clear) summary of your work. It should clearly state the **background problem**, the **research objectives**, the **short methods**, the **main results/findings**, and the **conclusions**, and should not include citations, tables, figures, and formulas. More information can be found in the Template.
11. Keywords (maximum 5 words) are located under the abstract and written in English and Bahasa Indonesia.
12. The manuscript (Introduction, Research Method, Results and Discussion, and Conclusion) uses Times New Roman size 12, line spacing 1 line, A4 paper size (210 x 297 mm) with the margin is 2.25 cm on each side except the left side (2.5 cm). More details can be found in the Template.
13. The article sent to JPFA comes from the original **research article** (the article originality or state of the art should be mentioned in the introduction part) or the **review article** about physics and its application (see the scopes in JPFA).
14. The **research article** contains the title, author's name, affiliation/institution, and postal address, abstract, keywords, PACS, introduction, research method, results and discussion, conclusion and suggestion, acknowledgment, and references.
15. The **review article** contains the title, author's name, affiliation/institution, and postcard address, abstract, keywords, PACS, introduction, discussion, conclusion, acknowledgment, and references.
16. **Introduction** explains **state of the art** of the research, **gap analysis**, and **research objectives/questions**.
17. **Research method** is written in **full and detail** so that it can be repeated by others (**reproducible**).
18. **Results** should **summarize or highlight the findings** rather than providing the detailed research results. **Discussion** must **answers the problems, interprets the research results and the findings into the already known knowledge, confirms and/or contrasts with the research of other researchers, constructs the new theory, and/or modifies the previous theory**. Discussion may also contain **the implications of both theoretical and implementation results**.
19. **Conclusion** must be able to **answer the research objectives/questions** and should not repeat the abstract or simply rewrite the experimental results.
20. The paragraph is written in justify. Inter-paragraph is given 5 character for left indentation.
21. The title of the figure uses Times New Roman size 10, center alignment, 1 line spacing, and placed at the bottom of the picture. The image file(s) is in .jpg, .bmp, or .png format must be attached in separate file(s) with the Article.
22. When quoting pictures, charts, or photographs from other publications, the author shall specify the source and obtain the permission from its Author. **Copyright Permission Request Form** is attached in the JPFA's Author Pack.
23. Tables are typed in 1 line spacing, decimal places are used as position references, and zeros must be stated (e.g., 0.333 and not .33). Columns and rows in the table should be titled. The title of the table is capitalized for the first letter of each word. The table title is placed at the top of the table. The font size is 10 pt or adjustable. Examples of the table format can be seen in the Template.
24. Diagram, schematic, chart, or flowchart use Times New Roman, 1 line spacing. Font size is 10 pt or adjustable.

25. Equation(s) is numbered with Arabic numerals on the right in parentheses. The equation should use the International System (SI) and its abbreviations standard. Decimal sign uses a period for an article in English (example: 0.5). Abbreviations should be avoided unless they have been defined previously or a commonly used abbreviation. Footnotes are not allowed.
26. Any financial or other substantive conflicts of interest that may affect the outcome or interpretation of the research should be written down in the manuscript. All sources of financial or non-financial support of research should also be written in the Acknowledgments section.
27. A reference list is placed at the end of the manuscript, the references are numbered with Arabic numerals and referred in the manuscript by writing the numbers in square brackets, for example: "[1]". The numbering of the references is based on its sequence in the manuscript. An example of writing the references can be seen in the Template.
28. The article should use at least 80% of the newest references (not more than 10 years) and consists of (at least) 80% article from a scientific journal.
29. The author may suggest a potential Peer-reviewer for his/her article and may propose that someone does not review. More info can be seen in the Peer-review Policy.
30. All articles submitted to JPFA will be read and reviewed blindly (double blind peer review) by (minimum) 2 Peer-reviewers who are experts in their field. The acceptance of an article depends on the novelty of research, significance of the article, truth of the content, the degree of originality, the clarity of description, and the conformity with the objective of the journal.
31. The editorial team authorized to accept, return the manuscript for revision, and/or reject the submitted manuscript.
32. The template can be downloaded from <http://journal.unesa.ac.id/index.php/jpfa>. For further information, please contact JPFA Editor Team via email jpfa@unesa.ac.id.



Jurnal Penelitian Fisika dan Aplikasinya (JPFA)

TABLE OF CONTENTS

| | |
|---|-------|
| Silver Nanorods Layer Based on Polyvinyl Alcohol on Glass Substrates by Dip-Coating Method <i>Junaidi, Agus Riyanto, Kuwat Triyana, and Khairurrijal</i> | 1-9 |
| A Simple Matrix Approach to Determination of the Helium Atom Energies <i>Redi Kristian Pingak, Rosara Kolmate, and Bernandus</i> | 10-21 |
| Sensitivity Approach of Optical Sensors of Cholesterol Detection through Gaussian Beam and Quasi-Gaussian Beam <i>Mohammad Budiyanto, Mohamad Yasin, and Sulaiman Wadi Harun</i> | 22-31 |
| Understanding by Design (UbD) for the Physics Learning about Parabolic Motion <i>Fransiska Retno Kuntari, Ferdy Samuel Rondonuwu, and Debora Natalia Sudjito</i> | 32-43 |
| Development of HOTS Oriented Cognitive Problems in Thermodynamics for Senior High Schools <i>Seftyan Agustihana and Suparno</i> | 44-54 |
| Problem-Based Learning Model for Three-Phase Induction Motor <i>Ihtiari Prastyaningrum and Hendrik Pratama</i> | 55-64 |
| Search, Solve, Create, and Share (SSCS) Learning Model: The Impact on the Students' Creative Problem-Solving Ability on the Concept of Substance Pressure <i>Rahma Diani, Hesti Herliantari, Irwandani, Antomi Sarega, and Rofiqul Umam</i> | 65-77 |
| Analysis of Neutronic Safety Parameters of the Multi-Purpose Reactor–Gerrit Augustinus Siwabessy (RSG-GAS) Research Reactor at Serpong <i>Tukiran Subakti and Purwadi</i> | 78-91 |

SERTIFIKAT

Direktorat Jenderal Penguatan Riset dan Pengembangan,
Kementerian Riset, Teknologi, dan Pendidikan Tinggi



Kutipan dari Keputusan Direktur Jenderal Penguatan Riset dan Pengembangan,
Kementerian Riset, Teknologi, dan Pendidikan Tinggi Republik Indonesia
Nomor: 21/E/KPT/2018, Tanggal 9 Juli 2018
Tentang Hasil Akreditasi Jurnal Ilmiah Periode I Tahun 2018

Nama Jurnal Ilmiah
Jurnal Penelitian Fisika dan Aplikasinya (JPFA)

E-ISSN: 2477-1775

Penerbit: Jurusan Fisika FMIPA Universitas Negeri Surabaya

Ditetapkan sebagai Jurnal Ilmiah

TERAKREDITASI PERINGKAT 2

Akreditasi berlaku selama 5 (lima) tahun, yaitu
Volume 6 Nomor 1 Tahun 2016 sampai Volume 10 Nomor 2 Tahun 2020

Jakarta, 9 Juli 2018
Direktur Jenderal Penguatan Riset dan Pengembangan



Dr. Muhammad Dimiyati
NIP. 195912171984021001



Certificate

General Directorate of Strengthens Research and Development
Ministry of Research, Technology, and Higher Education

LOGO

Excerpt from the Decree of General Director of Strengthening Research and Development
Ministry of Research, Technology, and Higher Education Republic of Indonesia
Number: 21/E/KPT/2018, Date: July 9, 2018
Regarding the Results of Scientific Journal Accreditation 1st Period in 2018

Title of the Scientific Journal

Jurnal Penelitian Fisika dan Aplikasinya (JPFA)

E-ISSN: 2477-1775

Publisher: **Department of Physics, Faculty of Mathematics and Natural Sciences, Universitas Negeri Surabaya**

Specified as the Scientific Journal

ACCREDITED

ACCREDITED GRADE 2

Accreditation is valid for 5 (five) years, that is
Volume 6 Issue 1 Year 2016 until Volume 10 Issue 2 Year 2020

QR
Code

Jakarta, July 9, 2018

General Director of Strengthening Research and Development

Signed and seal

Dr. Muhammad Dimiyati
NIP 195912171984021001

Translated by:

Utama Alan Deta
Managing Editor of JPFA
JPFA-UNESA

CERTIFICATE

Directorate General of Research Reinforcement and Development
The Ministry of Research, Technology, and Higher Education



Quote of the Decree of Directorate General of Research Reinforcement and Development,
The Ministry of Research, Technology, and Higher Education of Republic of Indonesia
Number: 2/E/KPT/2018, 9 July 2018
On Result of Scientific Journal Accreditation in Period I of 2018

Name of the Scientific Journal
Jurnal Penelitian Fisika dan Aplikasinya (JPFA)
(Journal of Research in Physics and its Application)

E-ISSN: 2477-1775

Publisher: Department of Physics, Faculty of Mathematics and Natural Sciences, Universitas Negeri Surabaya

Conferred as Scientific Journal with
ACCREDITED WITH RANK 2

This accreditation is valid for 5 (five) years, namely
From Volume 6 Number 1 in 2016 until Volume 10 Number 2 in 2020

Jakarta, 9 July 2018
Director General of Research Reinforcement and Development

Signed and Sealed

Dr. Muhammad Dimiyati
Official Reg. Nor 195912171984021001

Certified as true and correct translation
Secretary of UPT PUSAT BAHASA UNESA



Syafi'ul Anam, Ph.D.
Official Reg. No. 197809162006041001

Problem-Based Learning Model for Three-Phase Induction Motor

Ihtiari Prastyaningrum^{1,a} and Hendrik Pratama^{1,b}

¹ Electrical Engineering Education, Faculty of of Teacher Training and Education
Universitas PGRI Madiun

Kampus II Universitas PGRI Madiun, Jalan Auri No. 6, Kota Madiun 63117, Indonesia

e-mail: ^aihtiari.prastya@unipma.ac.id and ^bpratama@unipma.ac.id

Abstract

This study aims to examine the Problem-Based Learning (PBL) model to improve the understanding of electromagnetic induction material in three-phase induction motor. Most of the students attending the Electrical Machine course have low understanding upon the working principles of the three-phase induction motor, in particular the basic theory of the relationship between the electromagnetic field and the three-phase induction motor. This study involved seventeen students of Electrical Engineering Education Study Program of Universitas PGRI Madiun in East Java. Data were collected through observation and tests, with the statistical test of research using paired sample t-test. This quasi-experiment research employed one-group pre-test and post-test design. The results showed that the application of PBL model with video simulation and practices improve students' understanding of the materials. The learning process by utilizing simulated animation video and the practices of unloading three-phase induction motors directly, the students' understanding of the working principles of three-phase induction motors increases with the average of N-Gain score. These results indicate the use of video and hands-on practice become effective way to deliver complex and abstract material to students. It is also believed that the learning on electromagnetic induction can be carried out more efficiently. Additionally, such learning model is believed to ease students understanding in physics.

Keywords: *problem-based learning, induction motor, three-phase, understanding, electromagnetic field*

Aplikasi Model Problem Based Learning Untuk Meningkatkan Pemahaman Tentang Induksi Elektromagnetik Pada Motor Induksi Tiga Fasa

Abstrak

Penelitian ini bertujuan untuk mengetahui permasalahan model problem learning untuk meningkatkan pemahaman materi induksi elektromagnetik pada motor induksi tiga fasa. Mayoritas siswa yang mengambil matakuliah mesin listrik belum memahami prinsip kerja motor induksi tiga fasa. Teori dasar hubungan antara medan elektromagnetik dan motor induksi tiga fase belum dikuasai oleh para siswa. Sampel terdiri dari 17 siswa di Prodi Teknik Elektro Universitas Pendidikan PGRI Madiun. Teknik pengumpulan data menggunakan oservasi dan tes. Metode penelitian menggunakan quasi experiment dengan desain One-Group Pretes Postes Design. Uji statistik penelitian menggunakan paired sample t test. Hasil penelitian menunjukkan bahwa penerapan model PBL dengan simulasi dan praktik video dapat meningkatkan pemahaman siswa terhadap materi yang diberikan. Melalui proses belajar dengan

memanfaatkan simulasi video animasi dan praktek pembongkaran motor induksi tiga fasa secara langsung, pemahaman siswa tentang prinsip kerja motor induksi tiga fasa dapat meningkat, dengan skor N-Gain. Hasil ini menunjukkan bahwa video media dan praktik langsung dapat menjadi cara yang efektif untuk memberikan materi yang cukup kompleks dan abstrak kepada mahasiswa. Dengan penerapan metode ini pembelajaran mengenai induksi elektromagnetik dapat dilaksanakan dengan lebih efisien. Dalam perkembangannya, model pembelajaran tersebut diharapkan dapat mempermudah siswa dalam memahami fisika.

Kata Kunci: *problem based learning, motor induksi, tiga fase, medan elektromagnetik*

PACS: 01.40.Ha, 01.40.Fk, 01.50.Lc

© 2019 Jurnal Penelitian Fisika dan Aplikasinya (JPFA). This work is licensed under [CC BY-NC 4.0](https://creativecommons.org/licenses/by-nc/4.0/)

Article History: Received: May 2, 2018

Approved with minor revision: May 16, 2019

Accepted: June 27, 2019

Published: June 30, 2019

How to Cite: Ihtiari P and Pratama H. Problem-Based Learning Model for Three-Phase Induction Motor. *Jurnal Penelitian Fisika dan Aplikasinya (JPFA)*. 2019; 9(1): 55-64. DOI: <https://doi.org/10.26740/jpfa.v9n1.p55-64>.

I. INTRODUCTION

Electric motors are in separable part of our everyday life that we seldom give them a second thought [1]. One of the most familiar types of electric motors is the type of induction motor. Induction motors are employed in textile mills, agriculture, and almost all the manufacturing industries to drive the loads because of its rugged construction and ease operation [2]. The basic principle of the induction motor is the magnitude of the force varies directly with the strength of the magnetic field and the amount of current flowing in the conductor.

In general, the rotor of an electric motor lies within a magnetic field created by the stator. The magnetic field induces a current within the rotor, and the resultant force caused by the magnetic fields in the stator and rotor (and thus torque) causes it to turn [3].

Previous research about three-phase induction motor have been carried out by Zuriman. He made a simple method for operating the three-phase induction motor on single phase supply [4]. Besides that Kishor et al also explained about three-phase induction motor using written pole technology [5]. The modified stator winding also was researched by C. Saravanan et al,

where they use Matlab Simulink to help for the simulation of modified stator winding [6]. Another research on learning models about the induction motors was also conducted by Ade Pajar, where he developed an asynchronous type induction motor for learning media, but without being equipped with animated videos.

Regarding these studies, this research discusses the electrical engineering learning for the students, such as combining the practices model with a three-phase induction motor medium. The learning process was also equipped with the animated video that explained the three-phase induction motor. So that students not only practice, but also make observations, analyze, and solve problems given.

Nevertheless, there are still many problems faced by students at the time of learning the topics related to electric motors. The students only know that when the current flows the electricity, the motor will work. Data obtained from the test taken by the sixth-semester students majoring on Electrical Engineering about the electric motor concept, all students assumed that the induction motor will work if it is electric current, so the students' understanding is that the electric

current is to drive the induction motor. At the moment the induction motor is dismantled, only 17.64 % students mention that the parts of the induction motor but cannot explain the relationship of each part with the working principles of the induction motor.

The results were obtained from the pre-test which included problems mentioning the induction motor parts of the picture, theoretical work system analysis and the relationship between the magnetic field strength with the working system of the induction motor.

The principles of work, the use and basic principles of an electric motor are essential and should be mastered by students majoring on Electrical Engineering. They should be equipped with a robust understanding of the concepts of electromagnetic fields. It is intended that later if they become teachers in respective area, they will be able to elaborate the concept to the students [7]. In addition, based on the observation at the vocational schools, it is believed that the induction motor is one of the topics that must be understood by students, of which the teachers are required to be able to explain to the students of vocational schools about the working system, how to use and detail parts of the electric motor in real context, not only through theory and images.

Based on the condition of this misconception, it requires real videos and practice applied to the Electrical Machine course, particularly for induction motor chapter. The rationale for selecting videos and real practices as the media for three-phase induction motor is based on some researches, such as a research carried out by Sababha et al, that they employed project-based learning to enhance the teaching of microprocessor-based embedded systems course to undergraduate students. The goal was to expose engineering students

to real-world problems and give them opportunity to apply what they have learned in the classroom [8]. In addition, Pablo et al also designed the educational project associated with teaching methodology [9].

The preferred learning model which is believed to improve students' understanding upon the three-phase induction motor in terms of electromagnetic induction is a Problem-Based Learning (PBL) model. In accordance with Malan's et al research, PBL model has created a positive condition for learners to develop self-regulated learning skills, so as to make learning experience more meaningful [10]. Supported by Ahlam and Gaber, PBL is believed to increase self-confidence, critical thinking ability, and students' understanding [11]. Besides that, Alvarez et al, also have conducted a research on the evaluation of the use of two teaching techniques in engineering, namely the use of problem-based learning and cooperative learning models [12].

This research is intended to employ Problem-Based Learning (PBL) model through real practices and supports by animation video to improve students' understanding upon the working principles of three-phase induction motor. It is expected that the misconception about the working system of the electric motor can be repaired.

II. METHOD

This action research was conducted at Electrical Engineering Education Study Program of PGRI University of Madiun in East Java. Seventeen of sixth-semester students were involved as the research subjects for the action research. The use of Problem-Based Learning (PBL) model is based on the consideration that this model is suitable to be applied in electrical engineering education programs [14], and such technical education materials should provide many examples of problems or

projects [15, 16]. To support students' understanding, simulation videos were utilized. The simulation video consists the process of application to build a model from a real system [17].

Data collection technique was carried out through observation and tests. In this study, quasi-experimental method was employed with the design of one-group pre-test post-test design. The increase of ability of students' understanding was calculated by the statistical test of research using paired sample t-test.

III. RESULTS AND DISCUSSION

This subject was chosen based on the condition of student's conception of induction motor. The condition of student's conception about induction motor is showed in Figure 1.

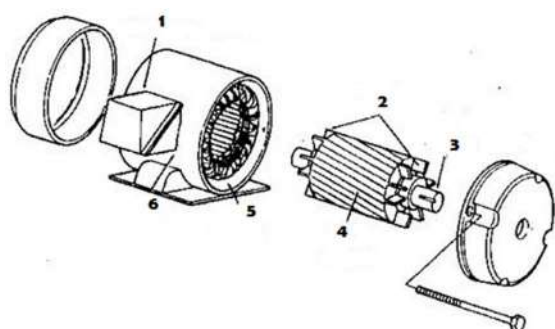


Figure 1. Induction Motor Construction

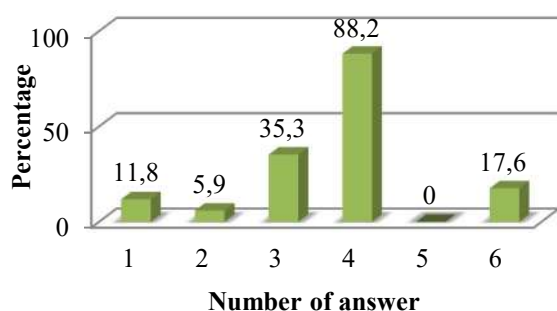


Figure 2. The Student's Presentation Graph about Induction Motor Parts

From Figure 2, there are 88.2 % of students are able to name correctly only the names of the induction motor parts at number 4, of which is the most easily known part of the induction motor that is the rotor.

Table 1. Results of Pre-test and Post-test

| Indicators | Pre-test | Post-test |
|--------------------|----------|-----------|
| Students | 17 | 17 |
| Mean | 47.71 | 67.17 |
| Deviation standard | 8.71 | 7.83 |
| Minimum | 35.00 | 65.00 |
| Maximum | 55.00 | 79.00 |

The normality test with Kolmogorov-Smirnov for pre-test value obtained significance of 0.565 and the post-test value obtained significance of 0.526, this means the value of significance is more than 0.05; it can be concluded that the values of pre-test and post-test were normally distributed. The homogeneity test based on Levene's statistic test gained significance of 0.674, which means the significance value was more than 0.05 that H_0 is accepted, indicating the variance of homogeneous data. Furthermore, due to the normal and homogenous data, parametric test with paired sample t-test was conducted as shown in Table 2. Based on the statistical test of paired samples tests, data for pre-test and post-test were obtained.

The results of statistical tests were analyzed by using SPSS 18 showing the value of Sig. (2-tailed) of 0.000, less than 0.05. It can be concluded that the statistical test H_0 is rejected. There are differences in the average between the pre-test and post-test for student's learning outcomes, which means that the effect of applying the Problem-Based Learning (PBL) model model occurs as part to improve the student's understanding upon three-phase induction motors in electromagnetic induction section. The data also show the mean paired

differences of -1.947, showing the average difference from the results of the pre-test and post-test scores. Significant influence can be seen in Table 1, the average post-test score is 67.17, which is better than the pre-test value of 47.71. Such effectiveness shows that the maximum score occurred after the learning process by employing PBL model of 79.00. The value of t-arithmetic is sig. 0.000, and as it is < 0.05 , it can be concluded that H_0 is rejected because the mean of pre-test and post-test value is not equal (different). Thus it can be stated that the implementation of PBL model in the classroom influences the students' understanding. The mean of post-test score shows a value of 67.17, which is better than the pre-test value of 47.71.

In accordance with the research, the PBL model is believed to stimulate the students to actively participate and engaged in the learning process. The existence of listed phenomena in the form of contextualized problems displayed at the beginning of learning stage may encourage the students to think critically and try to solve the problems. Stages during the PBL model such as, exploring the issue, stating what is known, defining the issues, researching the knowledge, investigating the solutions, presenting and supporting the chosen solution, and reviewing your performance, give opportunity for the students to create innovations and solutions to their own experiences [18] based on the given problems. The PBL model helps to integrate knowledge and experience with new problems so that various solutions might be obtained in one learning process due to different analyses from the students.

Based on the results of the pre-test, it was known that most of students have not understood the concept of working system of the three-phase induction motor. From the problem number one, only the induction motor partnumber 4 (rotor) that could be

identified correctly by 88.2 % of the students, while no students could mention correct answer for the other part number 5 which is electromagnetic stator. For the second question concerning on the working system of the induction motor, there are five important parts for the induction motor system, namely the electric current is passed through the wire; according to the Faraday's Law concept that when there is an electric current through the wire, it generates a magnetic field around the wire; as the magnetic field penetrates the rotor in the center of the electrically grounded wire, magnetic flux will arise in the stator; as a result of magnetic flux will give rise to magnetic torque, the energy is produced between the magnetic moment vectors of the coil with a magnetic flux density; and due to the existence of magnetic torque, the rotor will rotate following the Lorentz' Law. Of the five aspects, there were no single student could answer correctly for the third, fourth and fifth aspects. Students could not show understanding on the concept of magnetic flux, of which mathematically is expressed in Equation 1.

$$d\phi = B.dA \quad (1)$$

One student could not connect equation (1) with the working system of the induction motor. Based on these conditions, students were supported with the animation video exposing about the working system of the induction motor, and they were contextualized with the existing induction motor as the real equipment of practices.

After the students conducted the practice on the induction motor, it was obtained a better understanding of the concept particularly on the working systems of induction motor in relation with the electromagnetic field. The percentage of students' understanding on the working system of the induction motor is presented in Table 2.

Table 2. Percentage of Students' Understanding on the Working Principles of a Three Phase Induction Motor

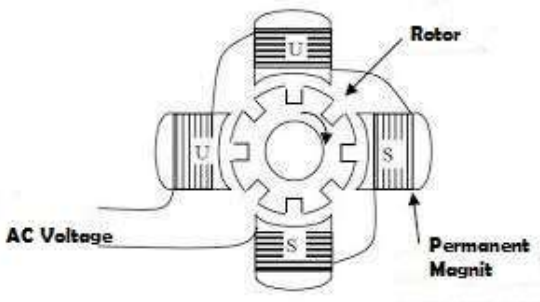
| Test | Aspects | Results | | |
|--|--|---------|--------|--------|
| | | Before | After | N-Gain |
| 1 | Electric current in the conductor wire Electrons from AC voltage sources flow through the conductor wire (the concept of electric current) | 88.2 % | 94.1 % | 0.42 |
| 2 | Electric current generates a magnetic field The equation $B = \frac{\mu_0 I}{2\pi r}$ that proves that in induction electric current motors in conductor, wire generates a magnetic field. | 35.3 % | 73.3 % | 0.56 |
| 3. | $d\phi = B.dA$ Where does the electric flux arises because there is a magnetic field that penetrates a certain area? Where is the rotor in the induced motor in the induction motor? | 0.00 % | 47.1 % | 0.47 |
|  | | | | |
| 4. | $\vec{\tau} = NIA\hat{n} \times \vec{B}$ The energy to drive an induction motor is a magnetic torque. Based on the equation, it is obtained that the magnetic torque is the energy generated by the vector of the magnetic moment of the coil with the magnetic flux density. | 0.00 % | 58.8 % | 0.52 |
| 5. | Magnetic torque moves the motor with the direction according to the principles of Lorentz's Law. | 0.00 % | 41.2 % | 0.49 |

Table 1 describes the conceptual understanding of the students upon the working system of the induction motor. Based on the theory of the induction motor, the schematic of the working principles of an induction motor is shown in Figure 1. Figure 1 shows that the induction motor operates on the basis of electric induced electromagnetic induction.

Under Faraday's Law, an electric current can produce a magnetic field. In the induction motor, the application of Faraday's Law is clear, where the electric current flowing on the conductor wire will result in the magnetic field around the wire. This magnetic field then generates magnetic flux as it penetrates the rotor portion of the induction motor [19].

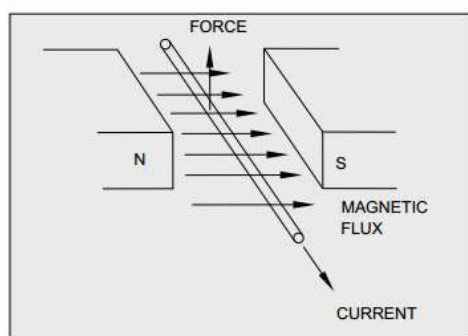


Figure 3. Force on a Conductor in a Magnetic Field

A new explanation to the effect of electromagnetic induction is proposed, while simultaneously rejecting the currently accepted induction law [20]. The electromagnetic induction device uses the kinetic energy of reciprocating motion of the MR damper which is converted into electric energy. The conversion proceeds according to Faraday's Law which expresses the phenomenon experimentally [21]. The mathematical form of Faraday's Law is presented in Equation 2.

$$e = -\frac{d\psi(t)}{dt} = -N \frac{d}{dt} \left(\int_s B \cdot dS \right) \quad (2)$$

Where ψ is magnetic flux linkage through the area of coil cross section S , N is the number of turns, B is the magnetic flux density and e is the induced electromotive force (in volts). The minus sign is a manifestation of Lenz' Law which states that the sense (clockwise or counter clockwise) of the induced electromotive force created by the change in the magnetic flux must be such as to oppose the change producing it. As it is set in Equation 3.

$$d\psi = Nd\phi = NB \cdot dS = NBdS \cos \phi \quad (3)$$

where ϕ is the angle between B and dS . In the case of time changes in the magnetic flux density $B(t)$, equation (2) can be rewritten in Equation 4.

$$e = -N \frac{d\phi}{dt} = -NS \frac{dB}{dt} \quad (4)$$

Thus, the Faraday's Law states that the induced electromotive force in the coil equals to the negative of the time rate of the magnetic flux changes through the coil. In other words, relative motion between the coil and permanent magnets of the considered device causes a change of the magnetic flux that induces an electromotive force in the coil. This force can also be regulated by the number of turns of winding in the coil or the intensity of permanent magnets.

An induction motor works using the principles of electromagnetic induction. The magnetic field on the induction motor comes from the electric current flowing through the conductor wire in the motor. In this case, the induction motor used is a three phase induction motor, which uses three types of windings in the motor. Each winding will give effect to the electromagnetic field. The electromagnetic field of each winding through the rotor causes an electric flux, which then causes the motor moving due to the magnetic torque based on the Lorentz' Law.

The concepts of magnetic flux, torque, and the Lorentz' Law in relation to induction motors previously could not be properly understood by the students. After the treatment of providing an animated video about the induction motor working system along with real and direct practices of disassembling the induction motor, the students' understanding was observed increasing. It is suggested that the most of the students majoring on the Electrical Engineering Education require real pictures and modeling of the working system of a strong current electric machine (induction motor). Positive changes were also observed at the time of the students executing the learning practice activities.

The implementation of such PBL model, the learning about electromagnetic induction topic can be carried out in a more efficient and effective manner. In addition to the current belief, Physics learning which has been considered difficult will be a little easier for the students by utilizing Problem-Based Learning (PBL) model.

IV. CONCLUSION

The results of this study show that the concepts of working principles of a three phase induction motor in relation to electromagnetic induction can be more easily understood by the students as it is presented by using Problem-Based Learning (PBL) model with the assistance of animation video and direct practice of disassembling of the three phase induction motor. Both animation video and direct practices are believed to improve students' understanding of the working principles of the three phase induction motor. The increase of the students' understanding upon the working principles of a three phase induction motor was perceived as medium gain category. The implementation of PBL model is believed to help the students improve problem-solving abilities, relate learning experiences with problems, improve understanding, and train to conduct investigations.

ACKNOWLEDGMENT

The authors would like to thank the Ministry of Research, Technology, and Higher Education (Research for Novice Lecturers 2018) for having funded this research stipulated in the contract number of 076/SP2H/LT/K7/KM/2018.

REFERENCES

[1] Hughes A. *Electric Motors and Drives*. Third Edition. Amsterdam: Elsevier Ltd; 2005.

- [2] Finley WR. Troubleshooting Induction Motors. *Proceedings of Conference Record of the 2000 IEEE Industry Applications Conference. Thirty-Fifth IAS Annual Meeting and World Conference on Industrial Applications of Electrical Energy (Cat. No.00CH37129)*. Rome, Italy. 2000; 3491-3498. DOI: <http://dx.doi.org/10.1109/IAS.2000.882669>.
- [3] Keyes C. *Electric Motors*. Canada: CEA Technologies Inc. (CEATI); 2007.
- [4] Anthony Z. A Simple Method For Operating The Three-phase induction Motor On Single Phase Supply (For Wye Connection Standard). *International Journal of Engineering Trends and Technology (IJETT)*. 2013; 5(1): 13-16. Available from: <http://ijettjournal.org/volume-5/number-1/IJETT-V5N1P103.pdf>.
- [5] Deshmukh KS, Bansal K, and Killedar A. Theory and Analysis of Three Phase Induction Motor using Written Pole Technology. *IOSR Journal of Electrical and Electronics Engineering (IOSR-JEEE)*. 2017; 12(1): 70-75. DOI: <http://dx.doi.org/10.9790/1676-1201027075>.
- [6] Saravanan C, Sathiswar J, and Raja S. Performance of Three-Phase Induction Motor using Modified Stator Winding. *Global Journal of Engineering Research*. 2012; 12(5): 1-7. Available from: <https://engineeringresearch.org/index.php/GJRE/article/view/610>.
- [7] Prastyaningrum I and Kartikaningsih S. The approximate theory of the Electromagnetic Energy the solenoid in Special Relativity. *Journal of Physics: Conference Series*. 2017; 795: 012034. DOI: <http://dx.doi.org/10.1088/1742-6596/795/1/012034>.
- [8] Sababha B, Alqudah Y, Abualbasal A, and AlQaralleh E. Project-Based Learning to enhance Teaching Embedded Systems. *Eurasia Journal of Mathematics, Science & Technology Education*. 2016; 12(9):

- 2575-2585. DOI:
<https://doi.org/10.12973/eurasia.2016.1267a>.
- [9] Torres PM, Blanco M, Lafoz M, and Arribas JR. Educational Project for the Teaching of Control of Electric Traction Drive. *Energies Open Acces Journals*. 2015; 8(2): 921-938. DOI: <https://doi.org/10.3390/en8020921>.
- [10] Malan SB, Ndlovu M, and Engelbrecht P. Introducing Problem-Based Learning (PBL) into a Foundation Programme to Develop Self-Directed Learning Skills. *South African Journal of Education*. 2014; 34(1): 1-16. DOI: <http://www.sajournalofeducation.co.za/index.php/saje/article/view/457>.
- [11] El-shaer A and Gaber H. Impact Of Problem-Based Learning on Students Critical Thinking Dispositions, Knowledge Acquisition, and Retention. *Journal of Education and Practice*. 2014; 5(14): 74-83. Available from: <https://www.iiste.org/Journals/index.php/JEP/article/view/12992>.
- [12] Salas JAA, Segundo J, Alvarez C, Arellano JC, and Pérez AA. Evaluation of the Use of Two Teaching Techniques in Engineering. *International Journal of Engineering Pedagogy*. 2014; 4(2): 4-10. DOI: <http://dx.doi.org/10.3991/ijep.v4i3.3287>.
- [13] Prastyaningrum I and Handhika J. Development of Smartphone e-Modul by Problem Solving Method for Biot-Savart Theory. *Journal of Physics: Conference Series*. 2017; 909: 012049. DOI: <http://dx.doi.org/10.1088/1742-6596/909/1/012049>.
- [14] Mills JE and Treagust DF. Engineering Education – Is Problem Based or Project Based Learning The Answer. *Australasian Journal of Engineering Education*. 2003; 3(2): 2-16. Available from: https://www.researchgate.net/profile/Nathan_Scott2/publication/238670687_AUSTRALASIAN_JOURNAL_OF_ENGINEERING_EDUCATION_Co-Editors/links/0deec53a08c7553c37000000.pdf.
- [15] Carnawi, Sudarmin, and Wijayanti N. Application of Project Based Learning (PBL) Model for Materials of Salt Hydrolysis to Encourage Students' Entrepreneurship Behaviour. *International Journal of Active Learning*. 2017; 2(1): 50-58. Available from: <https://journal.unnes.ac.id/nju/index.php/ijal/article/view/10603>.
- [16] Prastyaningrum I and Pratama H. The application of Project Based Learning Method in Learning Microhydro Electrical Power. *Journal of Physics Conference Series*. 2019; 1171: 012031. DOI: <http://dx.doi.org/10.1088/1742-6596/1171/1/012031>.
- [17] Ekoanindiyo FA. Pemodelan Sistem Antrian dengan Menggunakan Simulasi. *Jurnal Dinamika Teknik*. 2011; 5(1): 72-85. Available from: <https://www.unisbank.ac.id/ojs/index.php/ft/article/view/1129>.
- [18] Birgili B. Creative and Critical Thinking Skills in Problem-Based Learning Environments. *Journal of Gifted Education and Creativity*. 2015; 2(2): 71-80. Available from: https://www.researchgate.net/publication/286476206_Creative_and_Critical_Thinking_Skills_in_Problem-based_Learning_Environments.
- [19] Giuliani G. A General Law for Electromagnetic Induction. *A Letters Journal Exploring The Frontiers of Physics EPL*. 2008; 81(6): 1-15. DOI: <https://doi.org/10.1209/0295-5075/81/60002>.
- [20] Jonson JO. The Law of Electromagnetic Induction Proved to be False Using Classical Electrostatics. *Journal of Theoretics*. 2003; 5(3): 1-8. Available from: http://blog.hasslberger.com/docs/JOJonsson_fys.pdf.

- [21] Sapinski B. An Experimental Electromagnetic Induction Device for a Magnetorheological Damper. *Journal of Theoretical and Applied Mechanics*. 2008; 46(4): 933-947. Available from: https://www.researchgate.net/publication/228905770_An_experimental_electromagnetic_induction_device_for_a_magnetorheological_damper.